

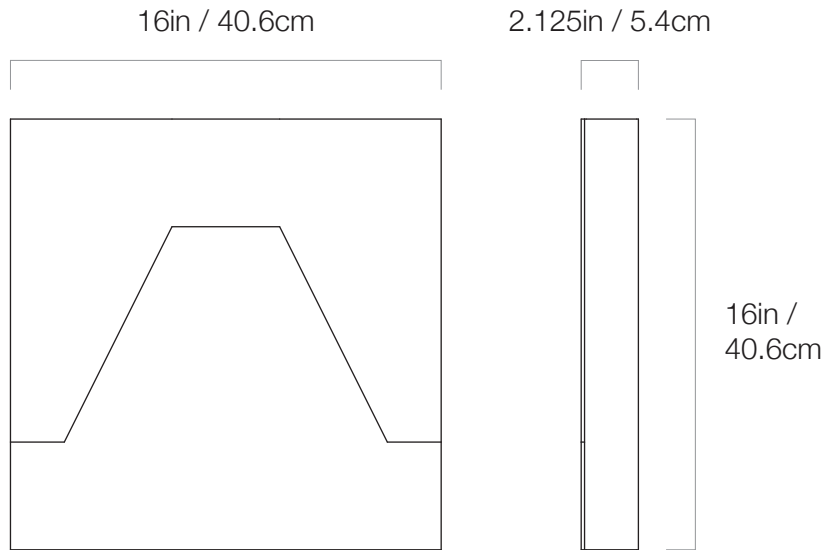
# CHRISTOPHER STUART



## BIMETAL MIRROR 1

*Bimetal Collection*

# CHRISTOPHER STUART



## BIMETAL MIRROR 1

*Bimetal Collection*

*Year of Design:*  
2020

*Material:*  
Mirror Polished Stainless Steel and Brass

*Place of Origin:*  
USA

*Size:*  
L 16 x D 2.125 x H 16in  
L 40.6 x D 5.4 x H 40.6cm

*Weight:*  
16.2lbs / 7.3kg

*Edition:*  
8, + 1 Prototype, + 1 AP

Custom

Open