

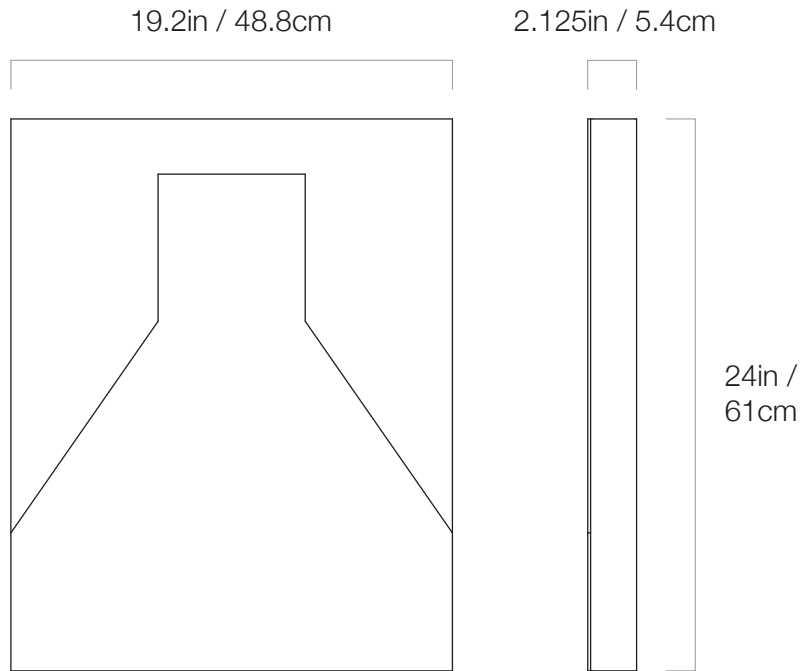
CHRISTOPHER STUART



**BIMETAL MIRROR 2**

*Bimetal Collection*

# CHRISTOPHER STUART



## BIMETAL MIRROR 2

*Bimetal Collection*

*Year of Design:*  
2020

*Material:*  
Mirror Polished Stainless Steel and Brass

*Place of Origin:*  
USA

*Size:*

*Weight:*

*Edition:*

L 19.2 x D 2.125 x H 24in  
L 48.8 x D 5.4 x H 61cm

26.4lbs / 12kg

8, + 1 Prototype, + 1 AP

Custom

Open