

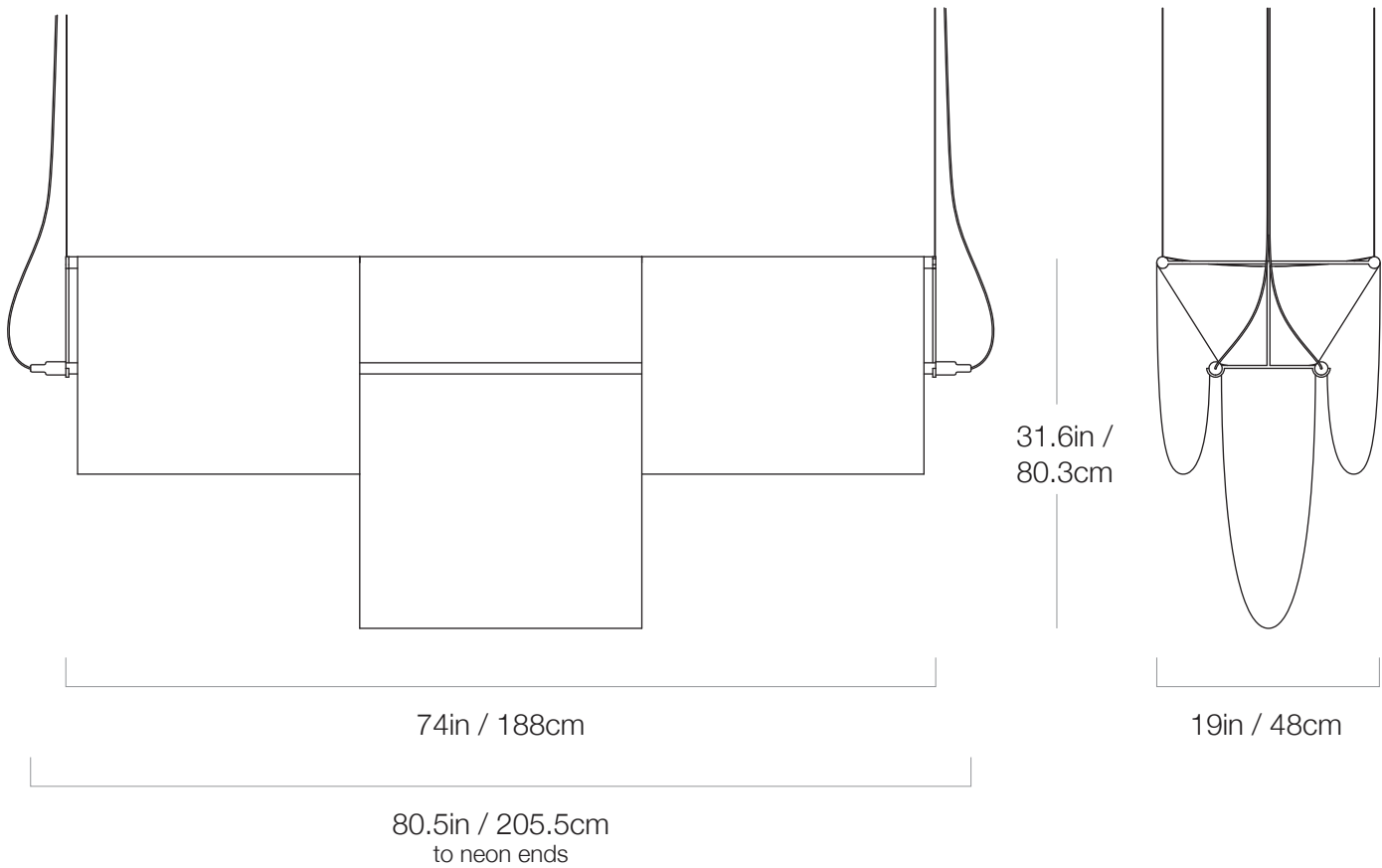
CHRISTOPHER STUART



## SUSPENDED STRUCTURE 1 (3 Panel Light)

*Suspended Structure Collection*

# CHRISTOPHER STUART



## SUSPENDED STRUCTURE 1 (3 Panel Light)

*Suspended Structure Collection*

*Year of Design:*  
2019

*Material:*  
Stainless Steel, Glass Neon Light Tubes, Painted Steel, Transformers

*Place of Origin:*  
USA

*Size:*  
L 74 x D 19 x H 31.6in  
L 188 x D 48 x H 80.3cm

*Weight:*  
50lbs / 23kg

*Edition:*  
8, + 2 AP

Custom

Open